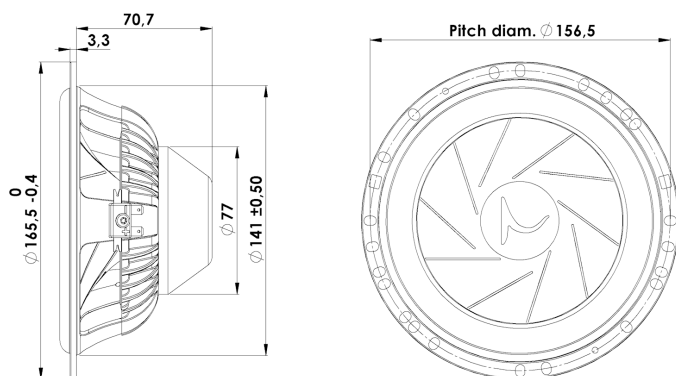


16 cm Woofer

16W/4531G06



T-S Parameters:

Resonance frequency [fs]	51 Hz
Mechanical Q factor [Qms]	5.08
Electrical Q factor [Qes]	0.66
Total Q factor [Qts]	0.59
Force factor [Bl]	5.18 Tm
Mechanical resistance [Rms]	1.02 kg/s
Moving mass [Mms]	16.3 g
Compliance [Cms]	0.59 mm/N
Effective diaph. diameter [D]	125 mm
Effective piston area [Sd]	123 cm ²
Equivalent volume [Vas]	12.6 l
Sensitivity (2,83V/1m)	88 dB

Mechanical Data:

Voice coil diameter	38 mm
Voice coil height	17.5 mm
Voice coil layers	2
Gap height	4 mm
Linear excursion	± 6.5 mm
Max mech. excursion	± 9.5 mm
Unit weight	0.8 kg
Cabinet Displacement Volume	0.20 l

Electrical Data:

Nominal impedance [Zn]	4 Ω
Minimum impedance [Zmin]	3.95 Ω
Maximum impedance [Zo]	32.63 Ω
DC resistance [Re]	3.46 Ω
Voice coil inductance [Le]	0.28 mH

Power Handling:

100h RMS noise test (IEC 18.4)	70 W
Long-term max power (IEC 18.2)	125 W
X-over:	None

Key Features:

- Patented Symmetrical Drive Motor Design
- Low-Loss linear suspension
- Robust Die cast Alu Chassis
- Sliced Cone (Controls Cone Breakups)
- Low Damping SBR Rubber Surround
- Compact powerful Neo magnet

Recommendations (please see Tech Note):

- Operating frequency range: fs-6000 Hz
- Cabinet volume - closed box: Vbox=58 ltr, f(-3dB)=56 Hz
- Cabinet volume - vented box: Vbox=58 ltr, fb=32 Hz, f(-3dB)=26 Hz

