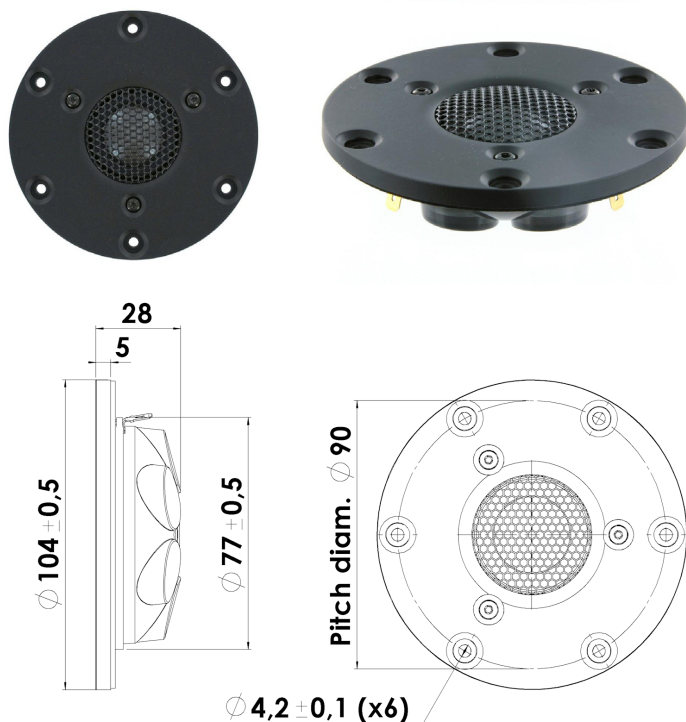


26 mm Dome Tweeter

D3004/664000



T-S Parameters:

Resonance frequency [fs]	500 Hz
Mechanical Q factor [Qms]	3.79
Electrical Q factor [Qes]	0.62
Total Q factor [Qts]	0.54
Force factor [Bl]	2.3 Tm
Mechanical resistance [Rms]	0.29 kg/s
Moving mass [Mms]	0.35 g
Compliance [Cms]	0.29 mm/N
Effective diaph. diameter [D]	30 mm
Effective piston area [Sd]	7 cm ²
Equivalent volume [Vas]	0.02 l
Sensitivity (2,83V/1m)	91.5 dB

Mechanical Data:

Voice coil diameter	26 mm
Voice coil height	2.0 mm
Voice coil layers	2
Gap height	2.5 mm
Linear excursion	± 0.2 mm
Max mech. excursion	± 1.6 mm
Unit weight	0.3 kg
Cabinet Displacement Volume	- l

Electrical Data:

Nominal impedance [Zn]	4 Ω
Minimum impedance [Zmin]	3.6 Ω
Maximum impedance [Zo]	21.2 Ω
DC resistance [Re]	3 Ω
Voice coil inductance [Le]	0.03 mH

Power Handling:

100h RMS noise test (IEC 18.4)	90 W
Long-term max power (IEC 18.2)	150 W
X-over: 2. order HP Butterworth, 2.5 kHz	

Key Features:

- Beryllium Diaphragm (99% Pure Be)
- AirCirc Motor Design w. 6 Neo magnets
- Patented Symmetrical Drive (SD-2) motor
- Large Roll Surround f. Wide Dispersion
- Black Rubber Painted Die Cast Faceplate
- Non-Magnetic Protective Grill

Recommendations (please see Tech Note):

- Operating frequency range: 2500-40000 Hz
- Cabinet volume - closed box: N.a.
- Cabinet volume - vented box: N.a.

