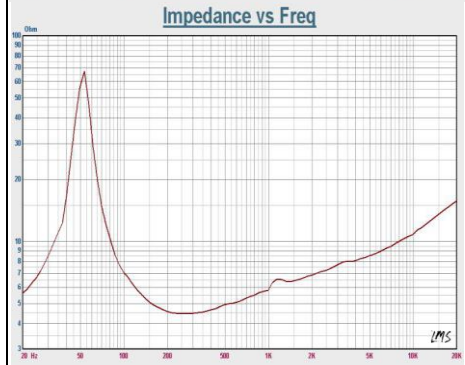
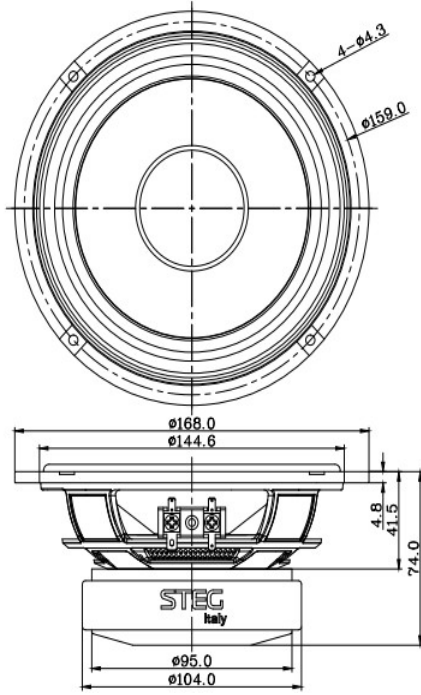


Speaker Model:ST650C-WF

IAPHRAGM MTL: Rubber+Paper
 NOMINAL IMPEDANCE: $4.0 \pm 15\% \Omega$
 DCR IMPEDANCE: $3.6 \pm 10\% \Omega$
 SENSITIVITY 1W/1M: 88.0 ± 3 dB
 FREQUENCY RESPONSE: 46-10K Hz
 FREE AIR RESONANCE: $46 \pm 20\%$ Hz
 VOICE COIL DIAMETER: 30.5 mm
 RATED POWER INPUT: 180 W
 MAXIMUM POWER INPUT: 220 W
 MAGNET WEIGHT (OZ): Ferrite
 FERRO FLUID ENHANCED: NO
 Qms: 4.1
 Qes: 0.54
 Qts: 0.47
 BL: 4.8



Speaker Model:ST650C-TW

IAPHRAGM MTL: SILK
 NOMINAL IMPEDANCE: $6.0 \pm 15\% \Omega$
 DCR IMPEDANCE: $6.0 \pm 10\% \Omega$
 SENSITIVITY 1W/1M: 90.0 ± 3 dB
 FREQUENCY RESPONSE: 1400-20K Hz
 FREE AIR RESONANCE: $1400 \pm 20\%$ Hz
 VOICE COIL DIAMETER: 25.5 mm
 RATED POWER INPUT: 30 W
 MAXIMUM POWER INPUT: 40 W
 MAGNET WEIGHT (OZ): NEO
 FERRO FLUID ENHANCED: YES

