

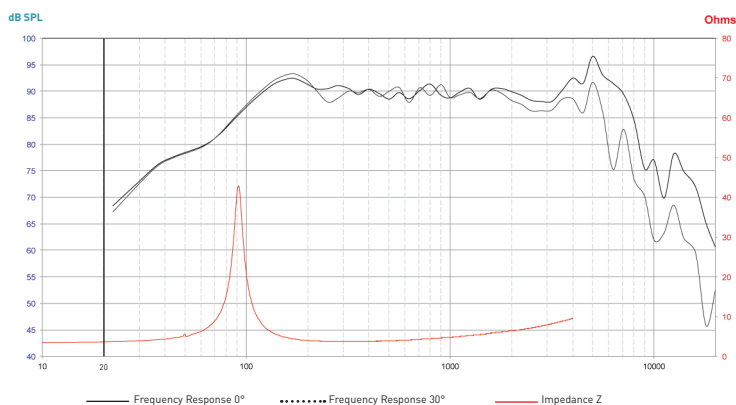
EXPERT PS 130F

Woofer (5")

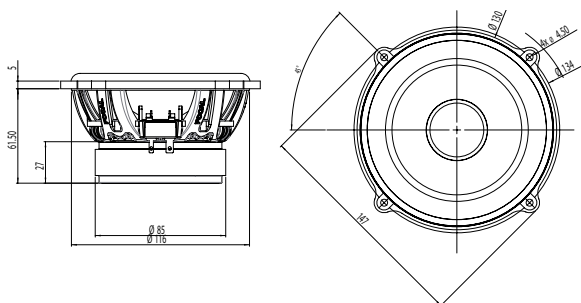


- Flax cone
- Aluminum basket
- Butyl surround

FREQUENCY RESPONSE/IMPEDANCE



MECHANICAL DRAWING



SPECIFICATIONS

Nominal power	60W	
Maximum power	120W	
Sensitivity (2,83V/1m)	90.4dB	
Cone	Flax	
Surround	Butyl	
Nom. impedance	4 Ohms	
DC resistance	3.3 Ohms	
VC diameter	25mm	
VC height	10mm	
Former	Kapton	
Layers	2	
Wire	Copper	
Inductance		
Xmax	+/- 2.5mm	1 ¹ / ₈ "
Magnet d x h	85 x 15mm	3 ¹ / ₃ x 0 ⁹ / ₁₆ "
Magnet weight	300g	0.6lb
Flux density	0.95T	
Gap height	5mm	0 ³ / ₁₆ "
Net weight	850g	1.70lb
Crossover cut-off	4000Hz	

PARAMETERS

Fs	92.5Hz
Vas	3.37l
Qts	0.76
Qes	0.83
Qms	9.9
Re	3.3 Ohms
Sd	84.95cm ²
Cas	2.4E-8 m5/N
Mas	126.1 Kg/m4
Ras	7323 Ohms.ac
Cms	330 µm/N
Mms	9.1 g
Rms	0.53 Kg/s
Ces	437.5 mF
Les	6.92 mH
Res	39.36 Ohms
BI	4.56 N/A
SPL	86.77 dB/W/m
f-3dans 30L	85Hz